

# Zico

Zi-2650



Please read this manual before switching the unit on.  
Important safety information inside.

## 1.Safety Instruction

### 1-1.Permitted Use

- Measuring distances.
- Computing functions, e. g. areas and volumes.

### 1-2.Prohibited Use

- Using the instrument without instruction.
- Using outside the stated limits.
- Deactivation of safety systems and removal of explanatory and hazard labels.
- Opening of the equipment by using tools(screwdrivers, etc.), as far as not specifically permitted for certain cases.
- Carrying out modification or conversion of the product.
- Use of accessories from other manufacturers without the express approval.
- Deliberate or irresponsible behavior on scaffolding, when using ladders, when measuring near machines which are running, or near parts of machines or installations which are unprotected.
- Aiming directly into the sun.
- Inadequate safeguards at the surveying site(e.g.when measuring on roads, construction sites, etc).

### 1-3.Laser Classification

- This produces a visible laser beam which emerges from the front of the instrument.
- **Laser Class 2 products:** Do not stare into the laser beam or direct it towards other people unnecessarily, Eye's protection is normally afforded by aversion responses including the blink reflex.




**⚠️ WARNING:** Looking directly into the beam with optical aids (e.g.binoculars, telescopes) can be hazardous.

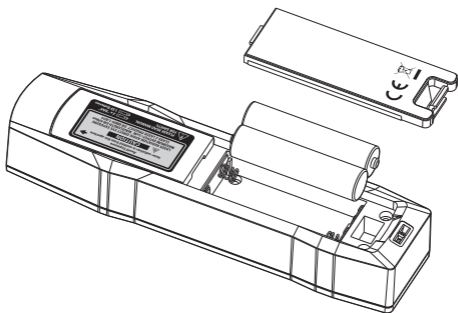
**⚠️ CAUTION:** Looking into the laser beam may be hazardous to the eyes.

**Precautions:** Do not look into the laser beam, make sure the laser is aimed above or below eye level.

**Precautions:** Do not look directly into the beam with optical aids.

## 2. Inserting/Replacing Batteries

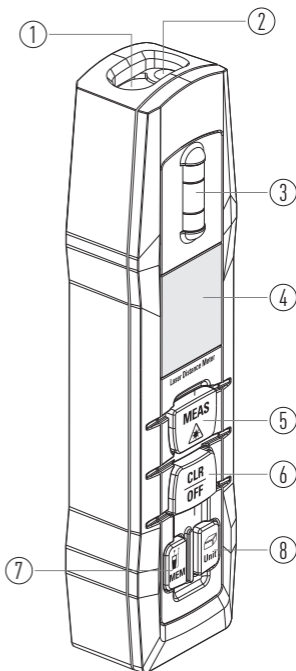
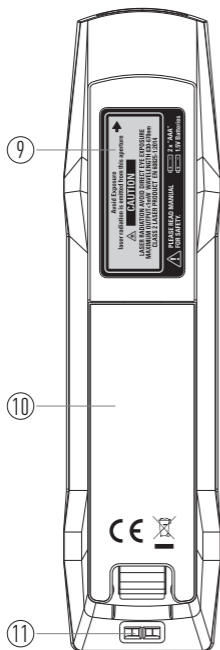
1. Remove battery compartment lid.
  2. Insert batteries, observing correct polarity.
  3. Close the battery compartment again.
- Replace the batteries when the symbol "  " flashes permanently in the display.
  - Use alkaline batteries only.
  - Remove the batteries before any long period of non-use to avoid the danger of corrosion.



## 3. Description

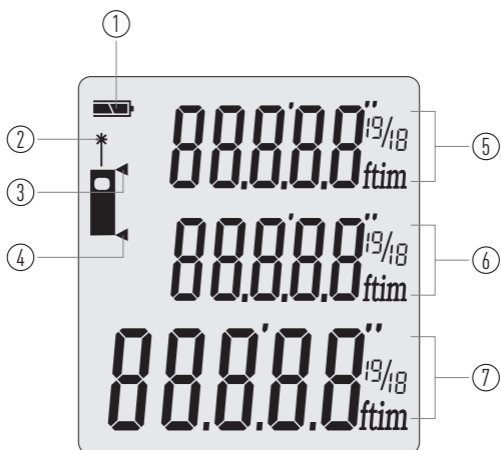
### 3-1. Meter Description

- 1-Laser Receiving Lens
- 2-Laser Emitter
- 3-Level Vial
- 4-LCD Display
- 5-ON/MEAS Button
- 6-Clear/OFF Button
- 7-MEM/Reference Button
- 8-Function/Unit Button
- 9-Label
- 10-Battery Cover
- 11-Lanyard Hole



### 3-2.Symbols Used on LCD Display

- 1-Laser Active
- 2-Reference Level (Front)
- 3-Reference Level (Rear)
- 4-Battery Status
- 5-Intermediate Line 1
- 6-Intermediate Line 2
- 7-Summary Line



## 4. Initial Operation and Setting

### 4-1. Switching ON and OFF

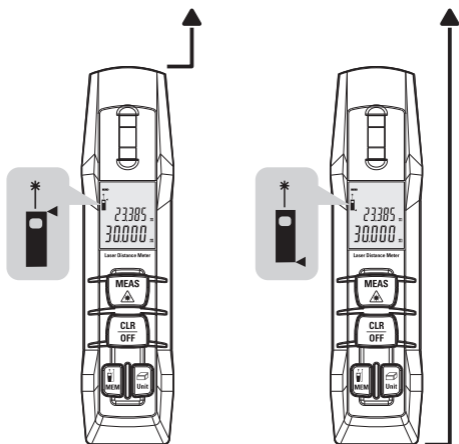
- “**MEAS**” Switches on the instrument and laser.
- “**Clear/OFF**” Press this button longer to switch off the instrument.
- The instrument switches off automatically after three minutes of inactivity.

### 4-2. Clear Button

- The last action is cancelled or the data display is cleared.
- If in the mode of History storage, press the **MEM/Reference** Button and **Clear/OFF** Button simultaneously will clear all storage data in the memory.

### 4-3. Reference Level Setting

- The default reference setting is from the rear of the instrument.
- Long press the **MEM/Reference** Button to take the selection from the front edge, a special beep sounds whenever the reference setting is changed.
- After a re-startup the reference returns automatically to the default setting (Rear reference).



#### 4-4. Distance Unit Setting for Instrument

Click the **Function/Unit** Button longer to change the next type of unit, the following unit can be set:

Distance	Area	Volume
0.000m	0.000m <sup>2</sup>	0.000m <sup>3</sup>
0.0in	0.000ft <sup>2</sup>	0.000ft <sup>3</sup>
1/16in	0.000ft <sup>2</sup>	0.000ft <sup>3</sup>
0.000ft	0.000ft <sup>2</sup>	0.000ft <sup>3</sup>
0'00" 1/16	0.000ft <sup>2</sup>	0.000ft <sup>3</sup>

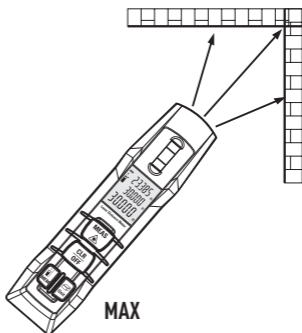
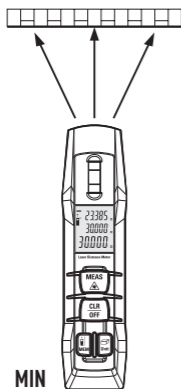
## 5. Measuring

### 5-1. Single Distance Measurement

- Press the **ON/MEAS** Button to activate the laser.
- Press the **ON/MEAS** Button again to trigger the distance measurement, the measured value is displayed immediately.

### 5-2. Continuous (Tracking) & Max/Min Measurement

- The continuous measurement function (Tracking) is used for the transferring of measurements, e.g., from construction plans.
- In continuous measurement mode, the measuring tool can be moved to the target, where by the measured value is updated approx.
- Every 0.5 seconds in the third line, the corresponding minimum and maximum values are displayed dynamically in the first and second line.
- As an example, the user can move from a wall to the required distance, while the actual distance can be read continuously.
- For continuous measurement, long press the **ON/MEAS** Button will start the continuous measurement.
- And press the **ON/MEAS** or **Clear/OFF** Button again to stop the function.
- The function is terminated automatically after continuous 100 times measurement.
- The MIN and MAX data will display in lines 1 and 2 individually.





## 6.Functions

### 6-1.Area Measurement

- 1.Press the **Function/Unit** Button once will start the area measurement function.
- 2.Press the **ON/MEAS** Button to take the first length measurement (e.g. length).
- 3.Press the **ON/MEAS** Button again to take the second length measurement (e.g. width).
- 4.The result of the area measurement is displayed in the third line, the individually measured values are displayed in lines 1 and 2.

### 6-2.Volume Measurement

- 1.Push the **Function/Unit** Button twice will start volume measurement function.
- 2.Press the **ON/MEAS** Button to takes first distance measurement (e.g. Length).
- 3.Press the **ON/MEAS** Button to takes second distance measurement (e.g. width).
- 4.The result of the area measurement from the values already measured is displayed in the summary line.
- 5.Press the **ON/MEAS** Button to takes the third distance measurement (e.g. height), the value is displayed in the second line.
- 6.The result of the volume measurement is displayed in the summary line, the two previously measured values in lines 1 and 2.

### 6-3.Historical Storage

- The previous 20 records (Measurements or calculated results) are shown in the reverse order.
- Use the **MEM/Reference** Button to navigate through these records.
- You can clear all records by press the **MEM/Reference** and **Clear/OFF** Button simultaneously in historical storage mode.

### 6-4.Bluetooth Function (Bluetooth Version Only)

- You can use the **Meterbox** APP to connect with this instrument.
- Whilst the first connection between the Phone/PC and the Laser distance meter is being established, a prompt for the Pin-code of the Instrument may be displayed.
- In this case, enter the code "0000" into your Phone/PC.
- The Bluetooth switches off as soon as the instrument is switched off.

## 7. Technical Specifications

Range *	0.05 to 50m/0.2in to 164ft
Measuring accuracy up to 10m (2 $\sigma$ , standard deviation) **	Typically: $\pm 1.5\text{mm}$ ( $\pm 1/16\text{in}$ )
Measuring Units	m, in, ft
Laser Class	Class II
Laser Type	650nm, <1mW
Smallest Unit Displayed	1mm
Area/Volume Calculations	Yes
Continuous Measurement	Yes
MIN/MAX Distance Tracking	Yes
Display Illumination	Yes
Multi-Line Display	Yes
Beep Indication	Yes
Bluetooth 4.0 EDR	Bluetooth Version Only
Range of Bluetooth	10m (Bluetooth Version Only)
Bluetooth with iPod/iPhone Support	Bluetooth Version Only
Bluetooth with SPP Support	Bluetooth Version Only
Dust Protect/Splash Proof	IP54
History Measurement Records	20
Keyboard Type	Super Soft-Touch (Long life)
Operating Temperature	0 to 40°C (32 to 104°F)
Storage Temperature	-10 to 60°C (14 to 140°F)
Batteries	Type AAA 2x1.5V
Battery Life	Up to 5,000 measurements
Auto Laser Switch-Off	After 30 seconds
Auto Instrument Switch-off	After 3 min
Dimension	135x33x24mm
Weight	80g

\* Use a target plate to increase the measurement range during daylight or if the target has poor reflection properties

\*\* In favourable conditions (Good target surface properties, room temperature) up to 10m/33ft; In unfavourable conditions, such as intense sunshine, poorly reflecting target surface or high temperature over distances above 10m/33ft can increase by  $\pm 0.15\text{mm/m}$  ( $\pm 0.0018\text{in/ft}$ ).

## 8. Troubleshooting-Causes and Corrective Measures

Code	Cause	Corrective Measure
208	Received signal too weak, measurement time too long.	Use target plate
	Distance >50m	
252	Temperature too high	Cool down instrument
253	Temperature too low	Warm up instrument
255	Hardware error	Switch on/off the device several times, If the symbol still appears, please contact your dealer for assistance.

## 9.Measuring Condition

### 9-1.Measuring Range

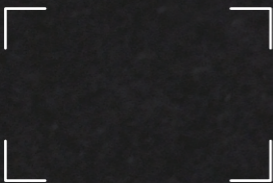
- The range is limited as Technical Specifications.
- At night or dusk and if the target is in shadow the measuring range without target plate is increased.
- Use a target plate to increase the measurement range during daylight or if the target has poor reflection properties.

### 9-2.Target Surfaces

- Measuring errors can occur when measuring toward colorless liquids (e.g. water) or dust free glass, styrofoam or similar semi-permeable surfaces.
- Aiming at high gloss surfaces may deflect the laser beam and lead to measurement errors.
- Against non-reflective and dark surfaces the measuring time may increase.

### 9-3.Care

- Do not immerse the instrument in water.
- Wipe off dirt with a damp, soft cloth.
- Do not use aggressive cleaning agents or solutions.
- Handle the instrument as you would a telescope or camera.



CE



Rev.220525