

Zico Zi-9689

Operating Instruction for Dual Laser InfraRed Thermometer



Please read this manual before switching the unit on.
Important safety information inside.

www.zicotech.com

Content	Page
1.Introduction.....	4
2.Features.....	4
3.Wide Range Application.....	4
4.Safety.....	5
5.Distance & Spot Size.....	5
6.Specifications.....	6
7.Description.....	7
7-1.Meter Description.....	7
7-2.Symbols Used on LCD Display.....	8
8.Functional Design.....	9
9.MODE Button Function.....	9
9-1.EMS Adjustment.....	9
9-2. °C/°F.....	9
9-3.HAL (LOW) On/Off.....	9
9-4.TRIG.....	10
9-5.MAX MIN DIF AVG Display.....	10
10.Measurement Operation.....	11
11.Battery Replacement.....	11
12.Notes.....	12
12-1.How it Works.....	12
12-2.Field of View.....	12
12-3.Distance & Spot Size.....	12
12-4.Locating a hot Spot.....	12
12-5.Reminders.....	12
12-6.Emissivity.....	12
13.Maintenance.....	14

1.Introduction

- Thank you for purchase of the IR Thermometer.
- This is capable of non-contact (Infrared) temperature measurements at the touch of a button.
- The built-in laser pointer increases target accuracy while the backlight LCD and handy push-buttons combine for convenient, ergonomic operation.
- The Non-contact Infrared Thermometers can be used to measure the temperature of objects' surface that is improper to be measured by traditional (Contact) thermometer (Such as moving object, the surface with electricity current or the objects which are uneasy to be touched.)
- Proper use and care of this meter will provide years of reliable service.

2.Features

- Rapid detection function.
- Precise non-contact measurements.
- Dual laser sighting.
- Unique flat surface, modern housing design.
- Automatic Data Hold.
- Emissivity Digitally adjustable from 0.10 to 1.0.
- MAX ,MIN,AVG,DIF temperature displays.
- Backlight LCD display.
- Automatic selection range and Display Resolution 0.1°C(0.1°F).
- Set high and low alarms with red backlight.

3.Wide Range Application

- Food preparation
- Safety and Fire inspectors
- Plastic molding, Asphalt, Marine and Screen printing
- Measure ink and Dryer temperature
- HVAC/R
- Diesel and Fleet maintenance

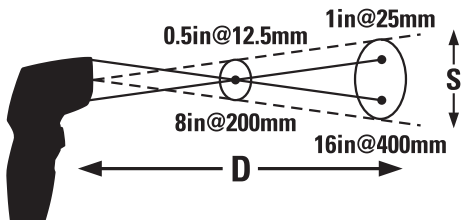
4.Safety

- Use extreme caution when the laser beam is turned on.
- Do not let the beam enter your eye, another person's eye or the eye of an animal.
- Be careful no to let the beam on a reflective surface strike your eye.
- Do not allow the laser light beam impinge on any gas which can explode.



5.Distance & Spot Size

- As the distance (D) from the object increases, the spot size (S) of the area measured by the unit becomes larger.
- The relationship between distance and spot size for each unit is listed below.
- The focal point for each unit is 203mm (8").
- The spot sizes indicate 90% encircled energy.



Distance : Spot = 16:1

6. Specifications

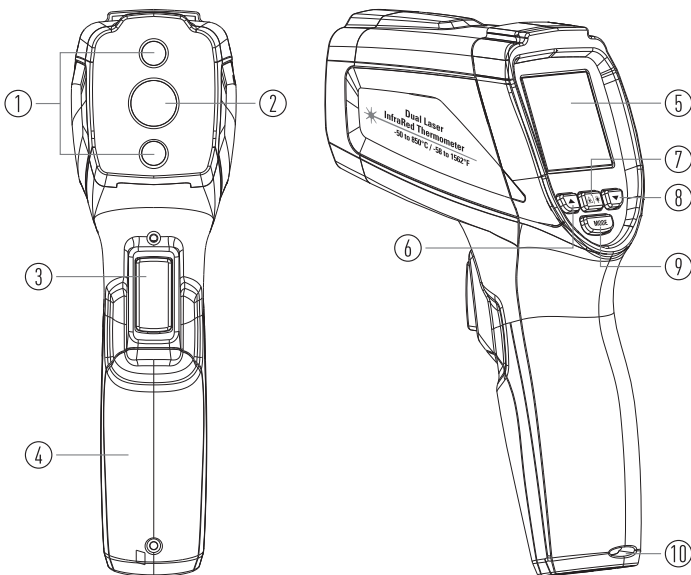
Range	-50 to 850°C (-58 to 1562°F)
D:S	16:1
Accuracy	Assumes ambient operating temperature of 23 to 25°C (73 to 77°F) $\pm 3.5^{\circ}\text{C}$ (6.3°F) at -50 to 20°C (-58 to 68°F) $\pm 1.0\%$ $\pm 1.0^{\circ}\text{C}$ (1.8°F) at 20 to 300°C (68 to 572°F) $\pm 1.5\%$ at 300 to 850°C (572 to 1562°F)
Display Resolution	0.1°C (0.1°F) <1000; 1°C (1°F) >1000
Repeatability	$\pm 1.8^{\circ}\text{C}$ (3.2°F) at -50 to 20°C (-31 to 68°F) $\pm 0.5\%$ or $\pm 0.5^{\circ}\text{C}$ (0.9°F) at 20 to 850°C (68 to 1562°F)
Response Time	150ms
Spectral Response	8~14 μm
Emissivity	Digitally adjustable from 0.10 to 1.0
Over Range Indication	LCD will show "----"
Polarity	Automatic (no indication for positive polarity); Minus (-) sign for negative polarity
Diode Laser	Output <1mW, Wavelength 630~670nm; Class 2 laser product
Operating Temp.	0 to 50°C (32 to 122°F)
Storage Temp.	-10 to 60°C (14 to 140°F)
Relative Humidity	10% to 90%RH operating; <80%RH storage
Power Supply	9V battery, NEDA 1604A or IEC 6LR61 or equivalent
Safety	"CE" Comply with EMC

Note: Field of View: Make sure that the target is larger than the unit's spot size. The smaller the target, the closer you should be to it. When accuracy is critical, make sure the target is at least twice as large as the spot size.

7. Description

7-1. Meter Description

- | | |
|-----------------------|---|
| 1-Laser Hole | 6-Up Button (For EMS, HAL, LAL) |
| 2-IR Sensor | 7-Laser/Backlight Button |
| 3-Measurement Trigger | 8-Down Button (For EMS, HAL, LAL) |
| 4-Battery Cover | 9-Mode Button (For Cycling Through the Mode Loop) |
| 5-LCD Display | 10-Lanyard Hole |



7-2. Symbols Used on LCD Display

1-Scan Symbol

2-Data Hold

3-Laser "ON" Symbols

4-High Alarm and Low Alarm Symbol

5-Symbols for MAX/MIN/DIF/AVG

6-Temperature Values for the MAX/MIN/DIF/AVG

7-Current Temperature Value

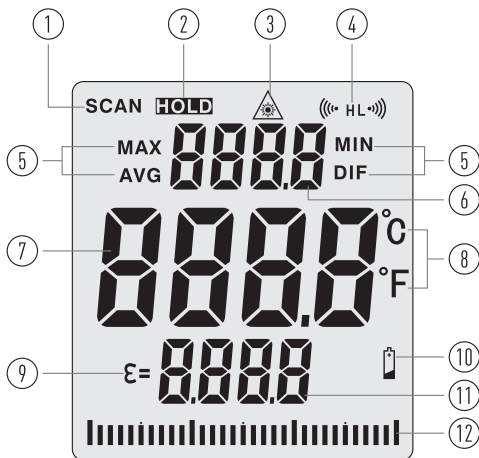
8-°C/°F Symbol

9-Emissivity Symbol

10-Low Power Symbols

11-Emissivity Value/Type K Temperature

12-Temperature Change Indication

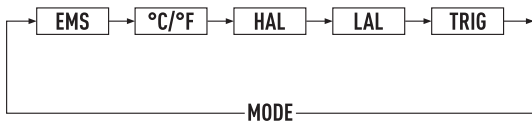


8.Functional Design

1. IN the hold time, **MODE** Button to change MAX/MIN/DIF/AVG.
2. In the measuring time, if the TYPE-K thermocouple is connected, the Type-K data will displays in the lower left quarter automatically, in this time, cannot display EMS.
3. To set values for the High Alarm (**HAL**), Low Alarm (**LAL**) and Emissivity (**EMS**), press and hold the **MODE** Button until the appropriate code appears in the display, press the **Up** and **Down** Buttons to adjust the desired values.
4. You can turn on/off the Backlight/Laser by pressing **Laser/Backlight** Button at any state.

9.MODE Button Function

- Press the **MODE** Button also allows you to access the set state, Emissivity (**EMS**), °C/°F, HAL adjustment, LOW adjustment, Each time you press set you advance through the mode cycle.
- The diagram shows the sequence of functions in the mode cycle.



9-1.EMS Adjustment

The Emissivity (**EMS**) digitally adjustable from 0.10 to 1.0.

9-2.°C/°F

Pressing **Up/Down** Button to change the temperature unit (°C or °F).

9-3.HAL (LOW) On/Off

- Press the **Laser/Backlight** Button to turn on or off.
- Press the measurement trigger to confirm the High (Low) alarm mode Hal (Low) adjustment.
- The High (Low) alarm adjustable form -50 to 850°C (-58 to 1562°F).

9-4. TRIG

The function of TRIG means that when the TRIG is turn on ,press and hold the trigger for more than 10 minutes ,the device will turn off.



9-5. MAX MIN DIF AVG Display

MAX MIN DIF AVG indicate the MAX MIN DIF AVG record that displays between the pressing and releasing the "ON/OFF" Button each time.

MAX=Maximum; Maximum value of measurement.

MIN=Minimum; Minimum value of measurement.

DIF=Difference; Difference value of measurement.

AVG=Average; Average value of measurement.

10. Measurement Operation

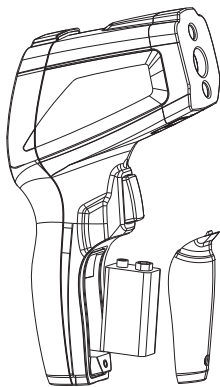
1. Hold the meter by its handle grip and point it toward the surface to be measured.
2. Pull and hold the Trigger to turn the meter on and begin testing, the display will light if the battery is good, replace the battery if the display does not light.
3. The meter will automatically power down after approximately 8 seconds after the trigger is released.

Measurement Considerations

- Holding the meter by its handle, point the IR Sensor toward the object whose temperature is to be measured.
- The meter automatically compensates for temperature deviations from ambient temperature.
- Keep in mind that it will take up to 30 minutes to adjust to wide ambient temperatures are to be measured followed by high temperature measurements, some time (several minutes) is required after the low (and before the high) temperature measurements are made, this is a result of the cooling process, which must take place for the IR sensor.

11. Battery Replacement

- As battery power is not sufficient, LCD will display “” replacement with 9V new battery type is required.
- Open battery cover, then take out the battery from instrument and replace with new battery and place the battery cover back.



12. Notes

12-1. How it Works

- Infrared thermometers measure the surface temperature of an object.
- The unit's optics sense emitted, reflected and transmitted energy, which is collected and focused onto a detector.
- The unit's electronics translate the information into a temperature reading, which is displayed on the unit.
- In units with a laser, the laser is used for aiming purposes only.

12-2. Field of View

- Make sure that the target is larger than the unit's spot size.
- The smaller the target, the closer you should be to it.
- When accuracy is critical, make sure the target is at least twice as large as the spot size.

12-3. Distance & Spot Size

As the distance (D) from the object increases, the spot size (S) of the area measured by the unit becomes larger.

12-4. Locating a hot Spot

To find a hot spot aim the thermometer outside the area of interest, then scan across with an up and down motion until you locate hot spot.

12-5. Reminders

- Not recommended for use in measuring shiny or polished metal surfaces (stainless steel, aluminum, etc.), see Emissivity.
- The unit cannot measure through transparent surfaces such as glass, it will measure the surface temperature of the glass instead.
- Steam, dust, smoke, etc., can prevent accurate measurement by obstructing the unit's optics.

12-6. Emissivity

- Emissivity is a term used to describe the energy-emitting characteristics of materials.
- Most (90% of typical applications) organic materials and painted or oxidized surfaces have an emissivity of 0.95 (Pre-set in the unit).
- Inaccurate readings will result from measuring shiny or polished metal surfaces.

- To compensate, cover the surface to be measured with masking tape or flat black paint.
- Allow time for the tape to reach the same temperature as the material underneath it.
- Measure the temperature of the tape or painted surface.

Emissivity Values

Substance	Thermal Emissivity
Asphalt	0.90 to 0.98
Concrete	0.94
Cement	0.96
Sand	0.90
Earth	0.92 to 0.96
Water	0.92 to 0.96
Ice	0.96 to 0.98
Snow	0.83
Glass	0.90 to 0.95
Ceramic	0.90 to 0.94
Marble	0.94
Plaster	0.80 to 0.90
Mortar	0.89 to 0.91
Brick	0.93 to 0.96
Cloth (Black)	0.98
Human Skin	0.98
Lather	0.75 to 0.80
Charcoal (Powder)	0.96
Lacquer	0.80 to 0.95
Lacquer (Matt)	0.97
Rubber (Black)	0.94
Plastic	0.85 to 0.95
Timber	0.90
Paper	0.70 to 0.94
Chromium Oxides	0.81
Copper Oxides	0.78
Iron Oxides	0.78 to 0.82
Textiles	0.90

13. Maintenance

- Repairs or service are not covered in this manual and should only be carried out by qualified trained technician.
- Periodically, wipe the body with a dry cloth.
- Do not use abrasives or solvents on this instrument.
- For service, use only manufacturer's specified parts.

